

TECHNICAL SPECIFICATION

COLOURS

MFC ELEMENTS



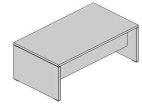
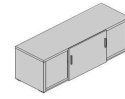
31 CANADIAN OAK



34 CHESTNUT



106 LOWLAND NUT



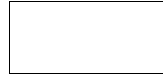
COLUMN COLOUR



08 BLACK



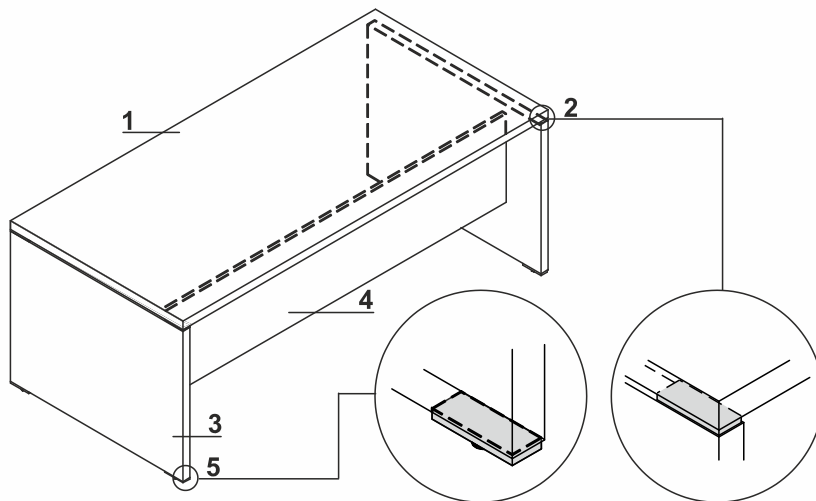
09 ALUMINUM



15 HIGH GLOSS WHITE

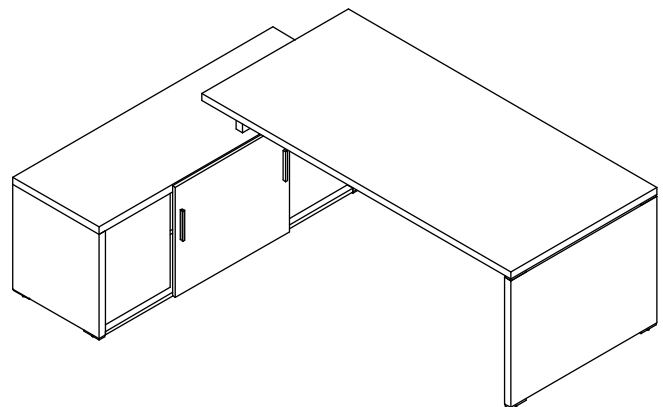
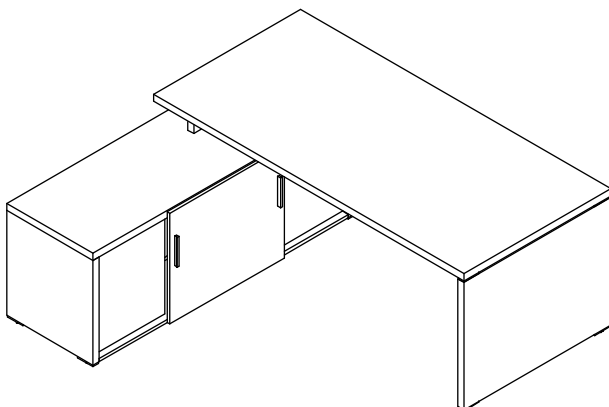


DESKS

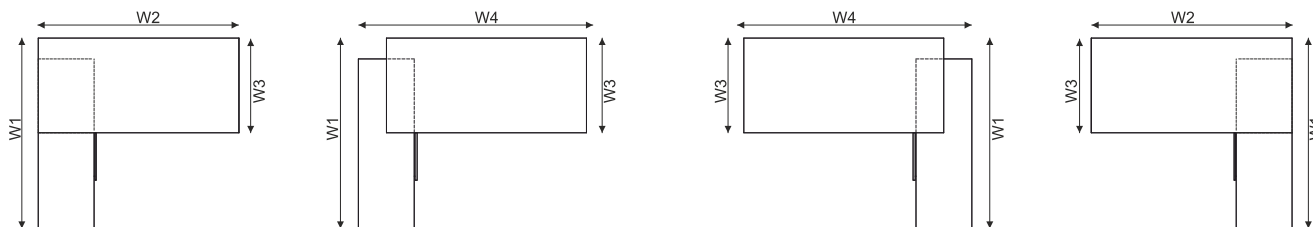


- 1. **Worktop** - MFC 38mm, PVC edge
- 2. **Top distance** - aluminium 100x34x9mm
- 3. **Base** - MFC 38mm, PVC edge
- 4. **Modesty panel** - MFC 18mm, PVC edge
- 5. **Leveling feet** - aluminium 100x34x9mm, range 5mm

POSSIBLE CONFIGURATIONS

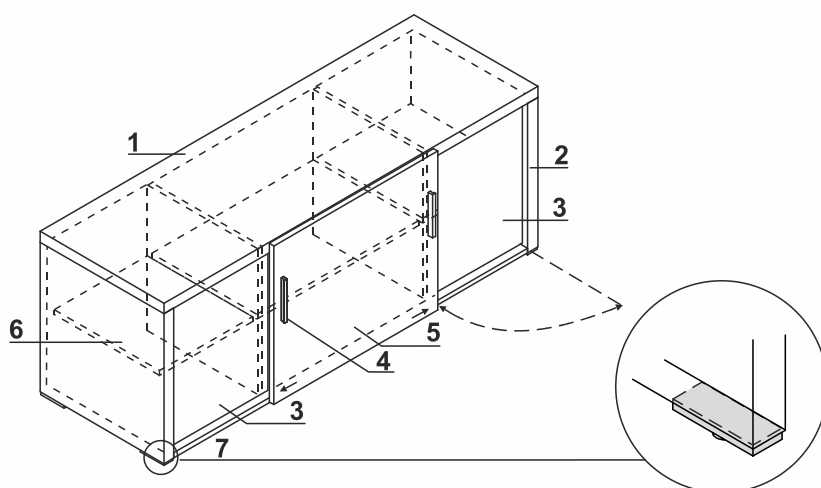


TECHNICAL SPECIFICATION
POSSIBLE CONFIGURATIONS



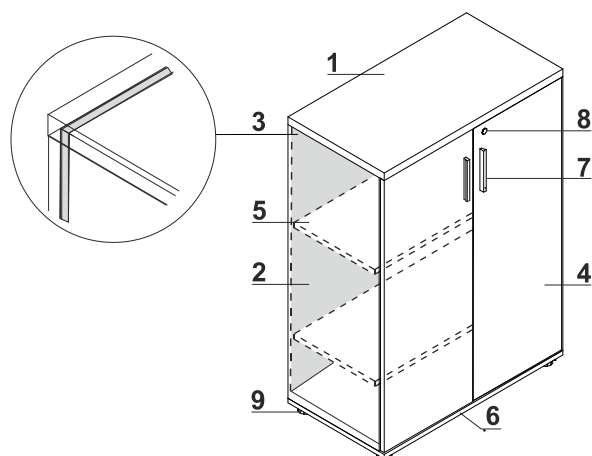
W1 - 1800mm | W2 - 1600mm/1900mm | W3 - 900mm | W4 - 1864/2164

CREDENZA



1. **Top** - MFC 38mm, PVC edge
2. **Side panels** - MFC 38mm, PVC edge
3. **Front** - MFC 18mm, PVC edge
4. Aluminium handle
5. **Sliding front** - MFC 18mm, PVC edge
6. **Shelf** - MFC 18mm, PVC edge
7. **Leveling feet** - aluminium 100x34x9mm, range 5mm

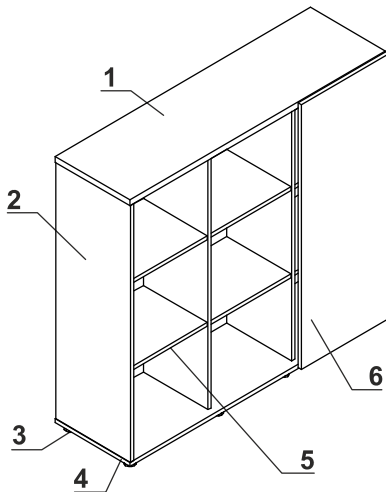
STORAGES



1. **Top** - MFC 28mm, PVC edge
2. **Side panels** - MFC 18mm, PVC edge
3. **Back MFC** - 18mm, PVC edges
4. **Front** - MFC 18mm, PVC edge
5. **Shelf** - MFC 18mm, PVC edge
6. **Base** - MFC 18mm, PVC edge
7. Aluminium handle
8. Patent lock
9. **Leveling feet 27mm** - range 12mm

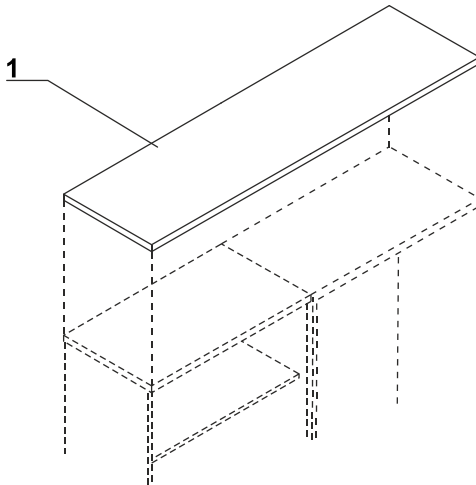
TECHNICAL SPECIFICATION

STORAGE WITH SLIDING FRONT - Q315



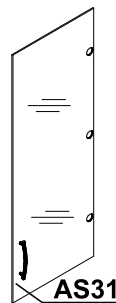
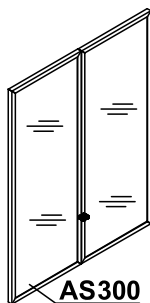
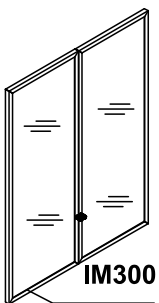
- 1. **Top** - MFC 28mm, PVC edge
- 2. **Side panels** - MFC 18mm, PVC edge
- 3. **Leveling feet 27mm** - range 12mm
- 4. **Base** - MFC 18mm, PVC edge
- 5. **Shelf** - MFC 18mm, PVC edge
- 6. **Sliding front** - MFC 18mm, PVC edge

OPTIONAL STORAGE TOPS



- 1. **Top** - MFC 38mm, PVC edge

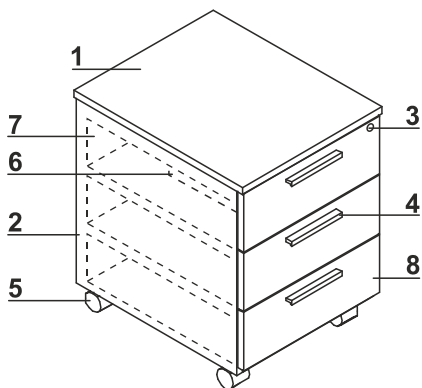
ADDITIONAL ELEMENTS FOR STORAGE



- IM300
glass door 30H
Transparent tempered glass 4mm - with aluminium frame
- AS300
glass door 30H
Frosted tempered glass 4mm - with aluminium frame
- AS31
glass door 30H
Transparent tempered glass 4mm
universal (left,right)

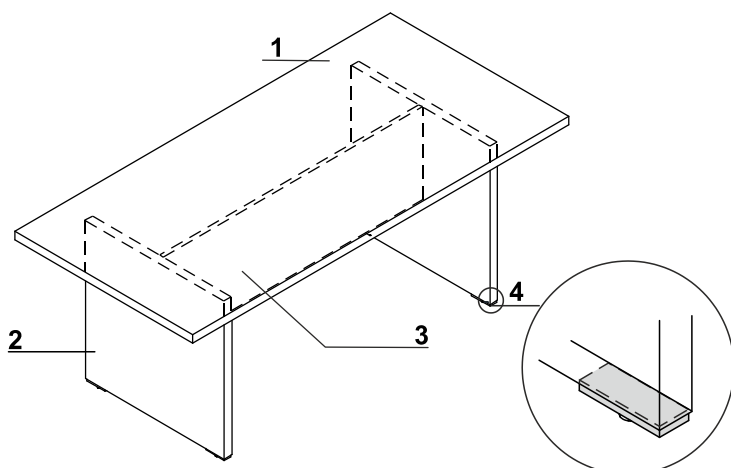
TECHNICAL SPECIFICATION

MOBILE PEDESTAL QD13



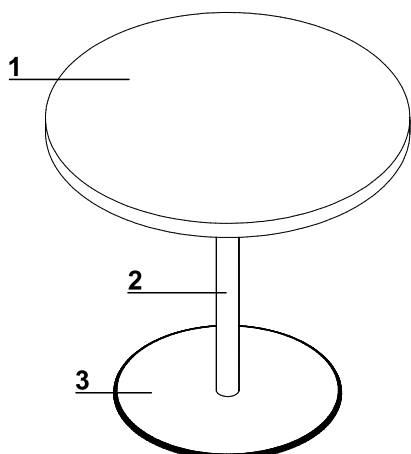
- 1. **Top** - MFC 18mm, PVC edge
- 2. **Body** - MFC 18mm, PVC edge
- 3. **Central lock** - foldable key
- 4. Aluminium handle
- 5. **Castors** - Ø50mm, two with brakes
- 6. **Pencil tray** - black plastic
- 7. **Metal drawer** - roll runners, max load 25kg, 80% extraction; Anti - tilt mechanism
- 8. **Front** - MFC 18mm, PVC edge

MFC BASE MEETING TABLES



- 1. **Worktop** - MFC 38mm, PVC edge
- 2. **Base** - MFC 38mm, PVC edge
- 3. **Modesty panel** - MFC 18mm, PVC edge
- 4. **Leveling feet** - aluminium 100x34x9mm, range 5mm

DISC BASE MEETING TABLES



- 1. **Worktop** - MFC 38mm, PVC edge
- 2. **Column** - powder coated steel
- 3. **Disc** - stainless steel

PRODUCT ILLUSTRATION	DIMENSIONS [mm]			INDEX SYMBOL						COMMENTS
	WIDTH	DEPTH	HEIGHT			kg	m3	pcs		

DESKS

	1900	900	740	Q19		82.9	0.195	4		
	1600	900	740	Q16		73.0	0.168	4		

DESK EXTENSION

	1000	550	740	Q10		27.0	0.066	1		universal left or right
--	------	-----	-----	------------	--	------	-------	---	--	-------------------------

DESKS WITH MANAGERIAL SIDE STORAGE

	2164	1800	740	QU19		148.4	0.351	5		
	1900	900	740							
	1864	1800	740	QU16		138.5	0.323	5		
	1600	900	740							

CREDENZA

	1600	550	610	QR16		81.0	0.186	2		
--	------	-----	-----	-------------	--	------	-------	---	--	--

PEDESTAL

	402	600	590	QD13		30.0	0.142	1		
--	-----	-----	-----	-------------	--	------	-------	---	--	--

DESCRIPTION

NET WEIGHT

VOLUME

NUMBER OF PACKAGES

PRODUCT ILLUSTRATION	DIMENSIONS [mm]			INDEX SYMBOL						COMMENTS
	WIDTH	DEPTH	HEIGHT			kg	m3	pcs		

MEETING TABLES

	1900	900	740	QS19		71.9	0.154	3		
	1900	900	740	QS20		100.9	0.240	5		
	800	800	550	QSL08		30.0	0.077	2		
	800	800	740	QS08		36.0	0.089	2		
	800	800	740	QS09		35.0	0.113	3		
	1200	1200	740	QS12		60.0	0.165	3		

DESCRIPTION

NET WEIGHT

VOLUME

NUMBER OF PACKAGES

PRODUCT ILLUSTRATION	DIMENSIONS [mm]			INDEX SYMBOL						COMMENTS
	WIDTH	DEPTH	HEIGHT			kg	m3	pcs		

STORAGES

	1400	432	1280	Q315		72.0	0.187	3		
	801	432	1833	Q51		75.0	0.213	3		
	801	432	1833	Q54		65.0	0.186	3		
	801	432	1129	Q31		43.0	0.116	3		
	801	432	1129	Q35		37.0	0.091	2		
	800	20	1050	AS300		10.3	0.037	1		glass doors (2pcs) 30H aluminum frame, frosted tempered glass

OPTIONAL STORAGE TOPS

	806	434	38	QT08		8.5	0.023	1		
	1608	434	38	QT16		17.0	0.044	1		
	2410	434	38	QT24		26.0	0.066	1		

DESCRIPTION

NET WEIGHT

VOLUME

NUMBER OF PACKAGES

PRODUCT ILLUSTRATION	DIMENSIONS [mm]			INDEX SYMBOL						COMMENTS
	WIDTH	DEPTH	HEIGHT			kg	m3	pcs		

ADDITIONAL ELEMENTS

	397	5	1050	AS31		6.5	0.034	1		universal glass door (1pcs) 3OH, transparent tempered glass
	800	20	1050	AS300		10.3	0.037	1		glass doors (2pcs) 3OH aluminum frame, frosted tempered glass
	800	20	1050	IM300		10.0	0.039	1		glass doors (2pcs) 3OH aluminum frame, transparent tempered glass

DESCRIPTION

NET WEIGHT

VOLUME

NUMBER OF PACKAGES