

TECHNICAL SPECIFICATION

COLOURS

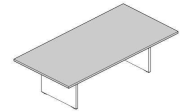
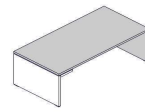
DESKS, CONFERENCE TABLES - WORKTOP,



111 LIGHT SYCAMORE



112 DARK SECAMORE



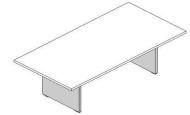
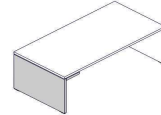
DESKS, CONFERENCE TABLES - BASE HPL



73 HIGH GLOSS WHITE



101 HIGH GLOSS BLACK



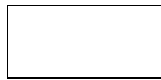
COLUMN COLOUR



08 BLACK



09 ALUMINUM



15 HIGH GLOSS WHITE



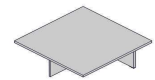
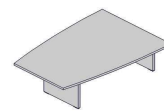
MODULAR TABLES MIT06, MIT07, MIT08



111 LIGHT SYCAMORE



112 DARK SECAMORE



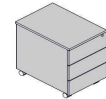
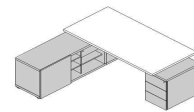
MANAGERIAL STORAGE, PEDESTAL, MOBILE PEDESTAL MIT13



111 LIGHT SYCAMORE



112 DARK SECAMORE



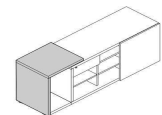
MANAGERIAL STORAGE EXTENSION MIT5



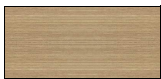
73 HIGH GLOSS WHITE



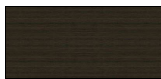
101 HIGH GLOSS BLACK



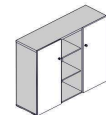
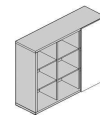
STORAGE - BODY



111 LIGHT SYCAMORE



112 DARK SECAMORE



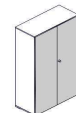
STORAGE - FRONT (MIT8 , MIT15)



111 LIGHT SYCAMORE



112 DARK SECAMORE



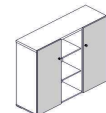
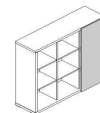
STORAGE - FRONT HPL (MIT7 , MIT18, MIT19, MIT20, MIT21, MIT22)



73 HIGH GLOSS WHITE



101 HIGH GLOSS BLACK



TECHNICAL SPECIFICATION

COLOURS

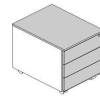
MOBILE PEDESTAL SLD



67 WHITE PASTEL



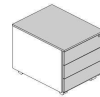
73 HIGH GLOSS WHITE



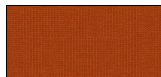
08 BLACK



101 HIGH GLOSS BLACK



CUSHION SKP13 - NEMO



NE-3 ORANGE



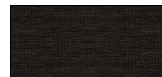
NE-5 RED



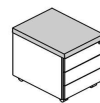
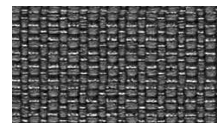
NE-9 GREEN



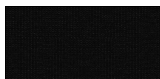
NE-10 GREY



NE-14 DARK GREY



NE-15 NAVY BLUE



NE-16 BLACK

CUSHION SKP13 - RUNNER - SECOND GROUP



R-63034 ORANGE



R-64089 RED



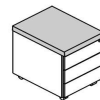
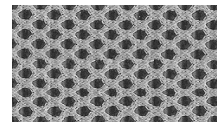
R-66063 BLUE



R-60011 GREY



R-68056 GREEN



R-66064 NAVY-BLUE



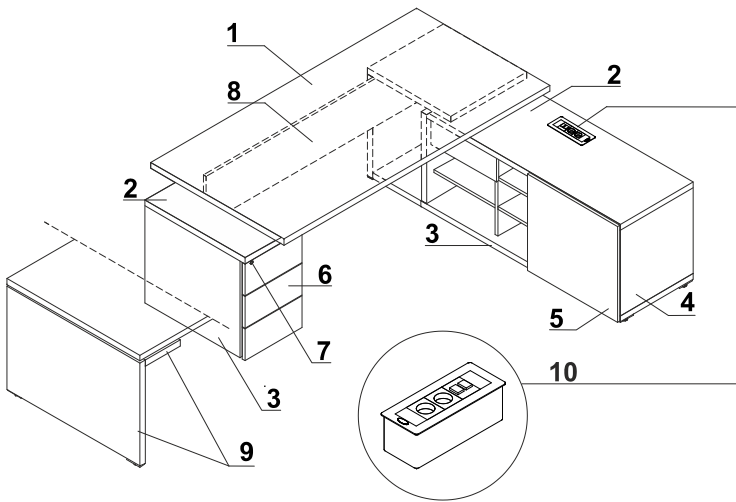
R-60999 BLACK



R-60025 DARK GREY

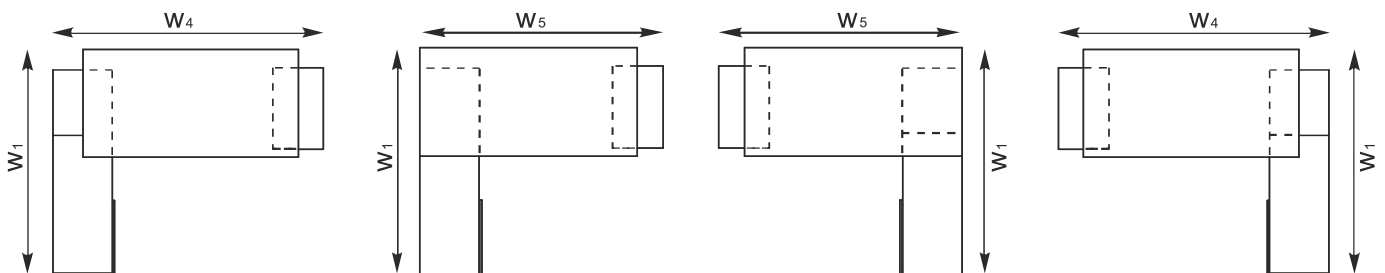
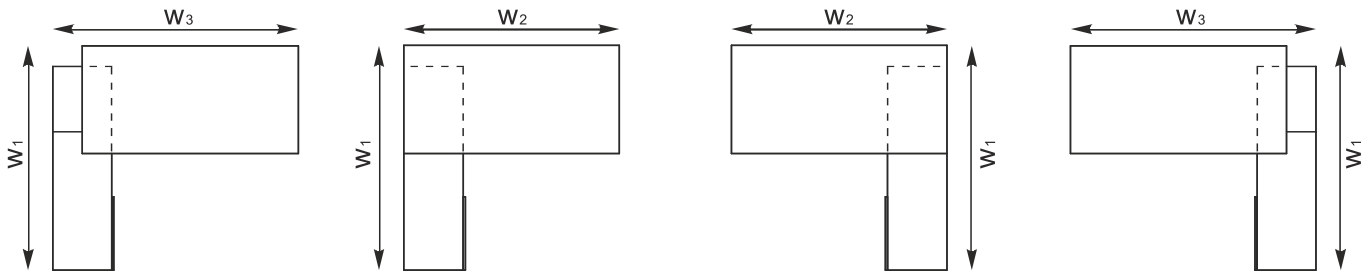
TECHNICAL SPECIFICATION

DESKS



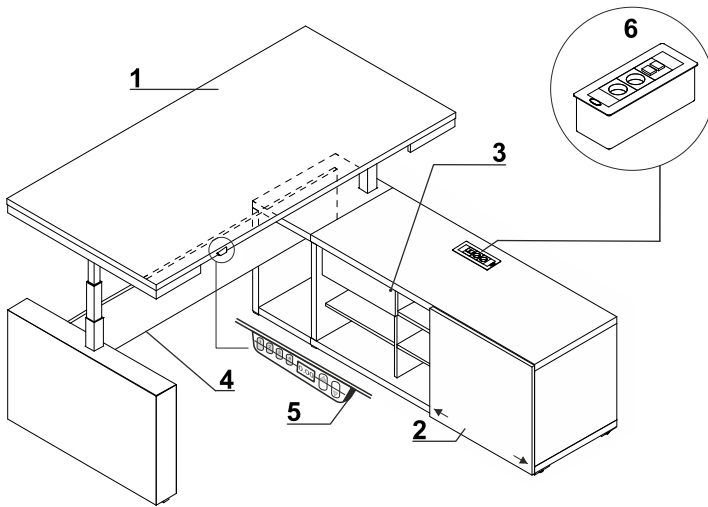
- 1. **Worktop** - MFC 38mm, PVC edge
- 2. **Top** - MFC 38mm, PVC edge
- 3. **Base** - MFC 38mm, PVC edge
- 4. **Body** - MFC 18mm, PVC edge
- 5. **Sliding front** - MFC 18mm, PVC edge
- 6. **Front** - MFC 18mm, PVC edge
- 7. **Central lock** - foldable key
- 8. **Modesty panel** - MFC 18mm, PVC edge
- 9. **HPL base** - high gloss - 38mm
- 10. **Option with additional charge Mediaport S91E** - 2x 230V, 2x RJ45

POSSIBLE CONFIGURATIONS

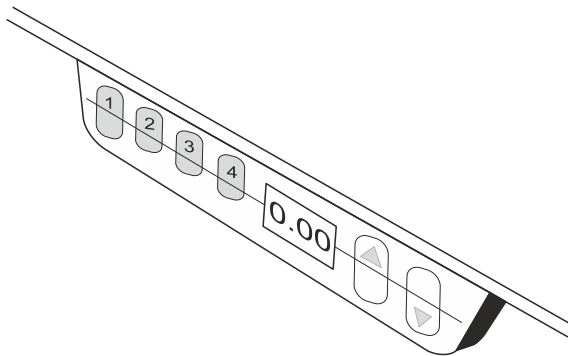


W1 - 2080mm | W2 - 1800/2000 mm | W3 - 2078/2278 mm | W4 - 2297/2497mm | W5 - 2019/2219 mm

TECHNICAL SPECIFICATION
DESK WITH ELECTRIC ADJUSTMENT



1. **Worktop** - MFC 38mm, PVC edge
2. **Sliding front** - MFC 18mm, PVC edge
3. **Drawer** -MFC 18mm, PVC edge, possible different position
4. **Electric height adjustable base** - powder coated steel, load 100kg, telescopic leg 60/60, 50/50, 40/40
5. Control panel
6. **Option with additional charge Mediaport S91E** - 2x 230V, 2x RJ45



FRAME TECHNICAL SPECIFICATION

Height adjustment - 40mm/sec Super Soft Start - Stop

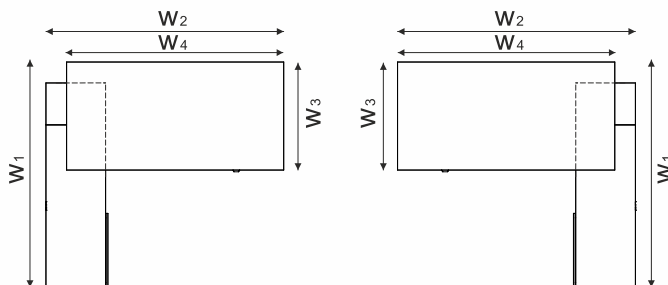
Drive - 2 synchronised motors with microprocessor, work control sensor

ISP - Intelligent System Protection

Norms - TUV, ISO 21016, EN 527-2, EN 527 -3
EU Directives 2006/95EC, UI508 1999, UL 1004 R7 06, WE DC 2004/108WE

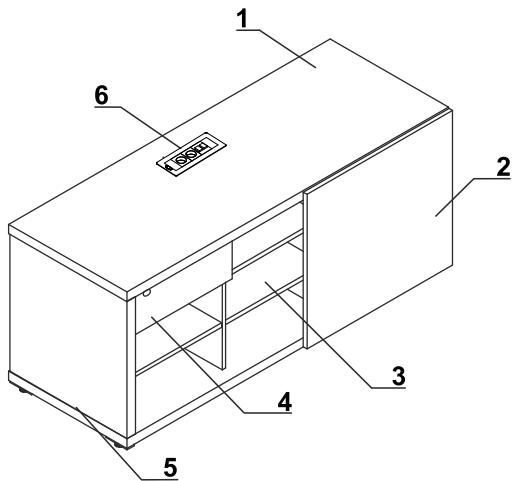
Power supply - 230V, 300W, power consumption on Standby - 0.3W

POSSIBLE CONFIGURATIONS



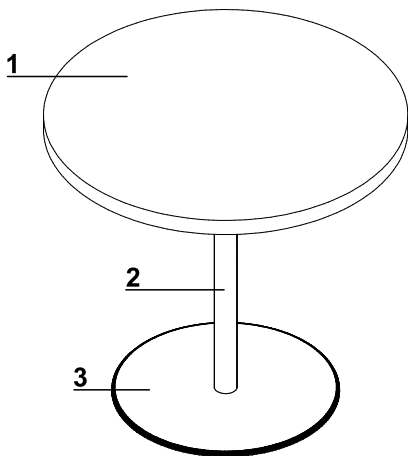
W1 - 2080 mm | W2 - 1990/2190 mm | W3 - 1000 mm | W4 - 1800/2000mm

**TECHNICAL SPECIFICATION
MANAGERIAL STORAGE**



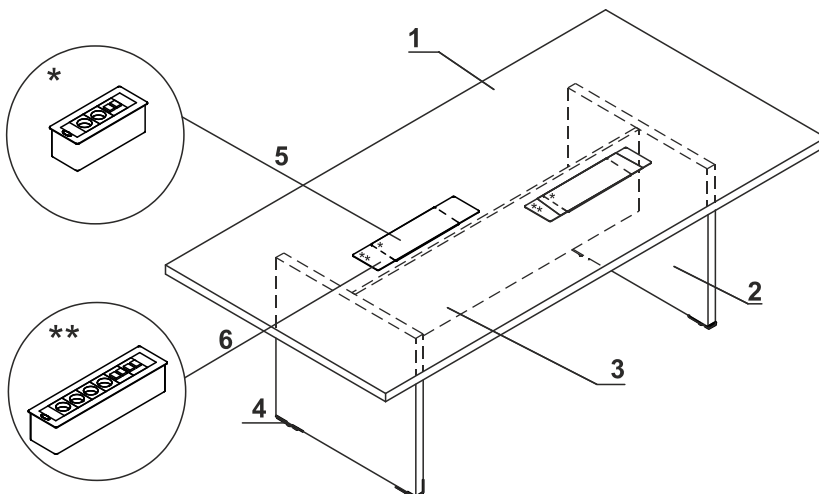
- 1. **Top** - MFC 38mm, PVC edge
- 2. **Front** - MFC 18mm, PVC edge
- 3. **Interior** - MFC 18mm
- 4. **Drawer** - MFC 18mm, PVC edge, lock - possible to change location
- 5. **Side panels** - MFC 38mm, PVC edge
- 6. **Option with additional charge Mediaport S91E** - 2x 230V, 2x RJ45

DISC BASE MEETING TABLES



- 1. **Worktop** - MFC 38mm, PVC edge
- 2. **Column** - powder coated steel
- 3. **Disc** - stainless steel

MFC BASE MEETING TABLES

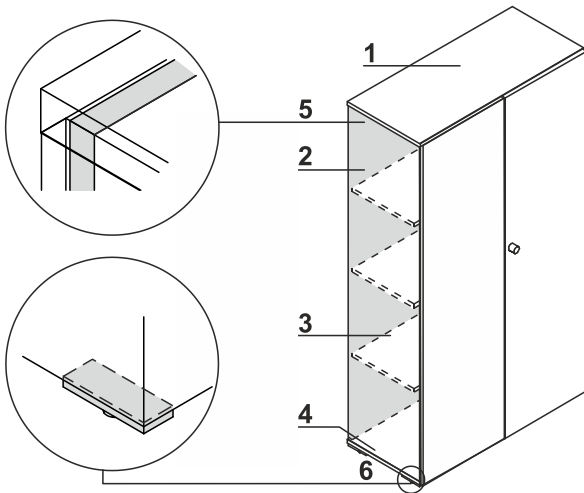


- 1. **Worktop** - MFC 38mm, PVC edge
- 2. **HPL base** - high gloss - 38mm
- 3. **Modesty panel** - MFC 18mm, PVC edge
- 4. **Leveling** - 5mm range
- 5. **Option with additional charge Mediaport S91E** - 2x 230V, 2x RJ45
- 6. **Option with additional charge - Mediaport S92E** - 4x 230V, 4x RJ45

ATTENTION – Modular tables MIT06, MIT07, MIT08 can be order as conference tables with mediaports cutouts. To order add a letter at the end of a product index: Locations: A, B, C (2pcs) - Mediaport S91E / Locations: G, H, K (2pcs) - Mediaport S92E

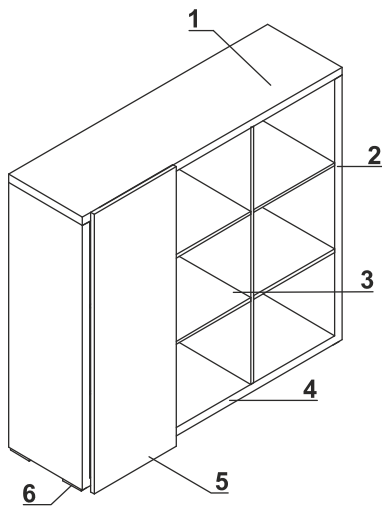
TECHNICAL SPECIFICATION

STORAGES



- 1. **Top** - MFC 18mm, PVC edge
- 2. **Side panels** - MFC 18mm, PVC edge
- 3. **Shelf** - MFC 18mm, PVC edge
- 4. **Base** - MFC 18mm, PVC edge
- 5. **Back MFC** - 18mm, PVC edges
- 6. **Leveling** - 5mm range

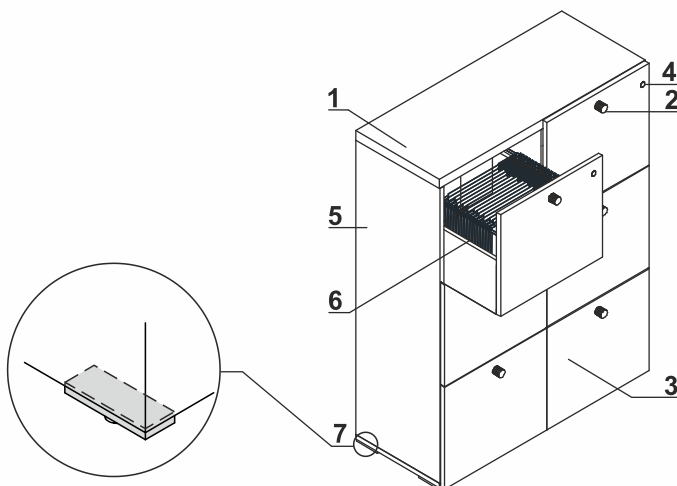
SLIDING DOOR STORAGES



- 1. **Top** - MFC 38mm, PVC edge
- 2. **Side panels** - MFC 38mm, PVC edge
- 3. **Interior** - MFC 18mm
- 4. **Base** - MFC 38mm, PVC edge
- 5. **Sliding front** - MFC 18mm, PVC edge
- 6. **Leveling** - 5mm range

Sliding front storages MIT7 / MIT18

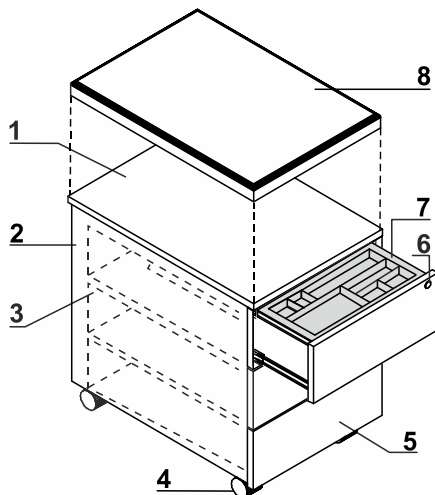
SUSPENSION FILES STORAGE



- 1. **Top** - MFC 38mm, PVC edge
- 2. **Aluminium handle**
- 3. **Front** - HPL - high gloss
- 4. **Central lock** - foldable key
- 5. **Side panels** - MFC 18mm, PVC edge
- 6. **Suspension file drawer** - ball runners, max load 45kg, 100% extraction
- 7. **Leveling** - 5mm range

TECHNICAL SPECIFICATION

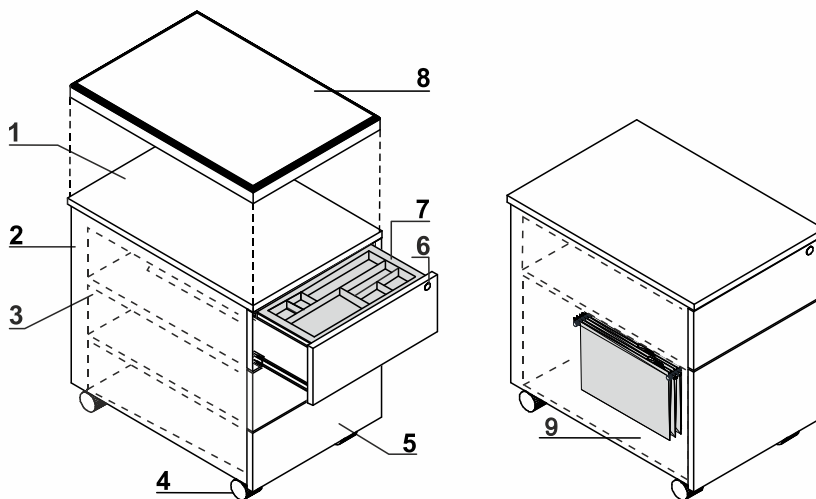
MOBILE PEDESTAL MIT13



1. **Top** - MFC 18mm, PVC edge
2. **Body** - MFC 18mm, PVC edge
3. **Metal drawers** - ball runners, max load 25kg, extraction 80%, anti-tilt mechanism, soft closing
4. **Castors** - Ø50mm, two with brakes
5. **Front** - MFC 18mm, PVC edge
6. **Central lock** - foldable key
7. **Pencil tray** - black plastic
8. **Cushion SKP** - for pedestal, order separately

ATTENTION - no sitting on pedestals without castors support; to be ordered with cushion SKP13

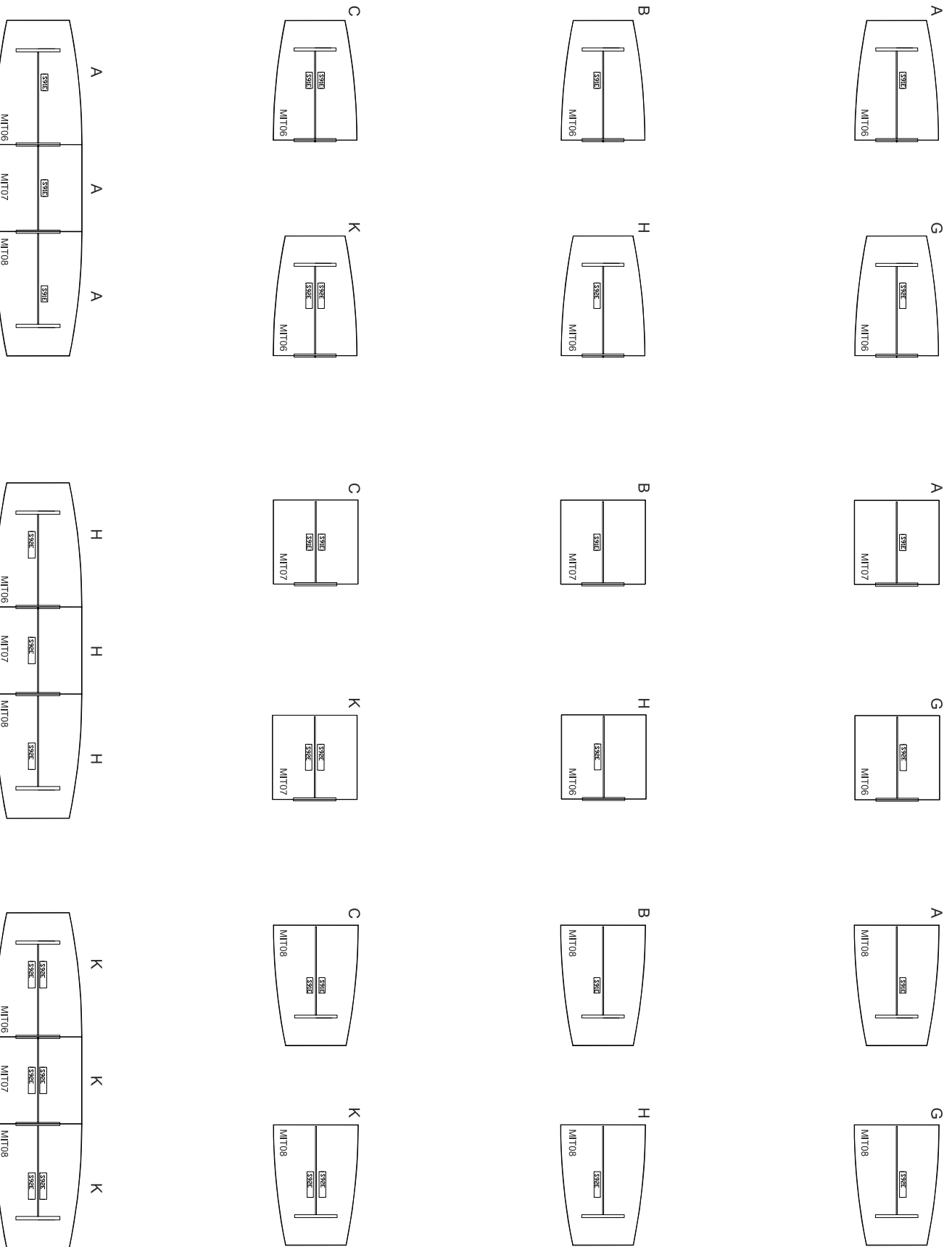
MOBILE PEDESTAL WITHOUT HANDLES



1. **Top** - MFC 18mm, covered with high gloss HPL
2. **Body** - MFC 18mm, PVC edge
3. **Metal drawer** - roll runners, max load 25kg, 80% extraction; Anti - tilt mechanism; OPTIONAL: ball runners, soft closing
4. **Castors** - Ø50mm, two with brakes
5. **Front** - HPL - high gloss, PVC edge
6. **Central lock** - foldable key
7. **Pencil tray** - black plastic
8. **Cushion SKP** - for pedestal, order separately
9. **Suspension file drawer** - ball runners, max load 30kg, 100% extraction

ATTENTION - no sitting on pedestals without castors support; to be ordered with cushion SKP13

POSSIBLE MEDIAPORT LOCATION



PRODUCT ILLUSTRATION	DIMENSIONS [mm]			INDEX SYMBOL						COMMENTS
	WIDTH	DEPTH	HEIGHT			kg	m3	pcs		

DESKS WITH MANAGERIAL SIDE STORAGE

	2278	2080	740	MIT1		201.1	0.517	11		drawer with lock, universal system left or right
	2000	2080	740							
	2078	2080	740	MIT2		196.1	0.501	11		drawer with lock, universal system left or right
	1800	2080	740							
	2497	2080	740	MIT1KD		217.1	0.690	11		drawer with lock, universal system left or right
	2219	2080	740							
	2297	2080	740	MIT2KD		212.1	0.674	11		drawer with lock, universal system left or right
	2019	2080	740							

DESKS WITH ELECTRIC HEIGHT ADJUSTMENT AND MANAGERIAL SIDE STORAGE

	2190	2080	760	MIT1R		196.9	0.744	10		drawer with lock, universal system left or right
	2190	2080	1300							
	1990	2080	760	MIT2R		192.4	0.702	10		drawer with lock, universal system left or right
	1990	2080	1300							

DESCRIPTION

NET WEIGHT

VOLUME

NUMBER OF PACKAGES

PRODUCT ILLUSTRATION	DIMENSIONS [mm]			INDEX SYMBOL						COMMENTS
	WIDTH	DEPTH	HEIGHT			kg	m3	pcs		

DESKS

	2000	1000	740	MIT3		97.7	0.274	4		
	1800	1000	740	MIT4		92.7	0.258	4		
	2219	1000	740	MIT3KD		119.7	0.476	4		universal left or right
	2019	1000	740	MIT4KD		114.7	0.460	4		universal left or right

DESK EXTENSION

	1200	600	740	MIT12		32.4	0.085	3		MIT3 and MIT4 - not possible to fix from HPL panel side
--	------	-----	-----	--------------	--	------	-------	---	--	---------------------------------------------------------

DESK PAD

	416	600	5	S100		1.0	0.001	1		eco leather- color black
--	-----	-----	---	-------------	--	-----	-------	---	--	--------------------------

MOBILE PEDESTAL WITHOUT HANDLES WITH HPL TOP AND FRONT

	416	600	587	SLD12HT		23.0	0.158	1		
	416	600	587	SLD13HT		23.0	0.158	1		

DESCRIPTION

NET WEIGHT

VOLUME

NUMBER OF PACKAGES

PRODUCT ILLUSTRATION	DIMENSIONS [mm]			INDEX SYMBOL						COMMENTS
	WIDTH	DEPTH	HEIGHT			kg	m3	pcs		
MOBILE PEDESTAL WITHOUT HANDLES										
	416	600	586	MIT13		30.0	0.158	1		
PEDESTAL CUSHION										
	400	600	52	SKP13		3.0	0.017	1		
MANAGERIAL STORAGE										
	1887	572	690	MIT5		160.7	0.371	11		storage with HPL extension, drawer with lock, sliding door
	1500	572	652	MIT6		98.0	0.233	4		drawer with lock, sliding door

DESCRIPTION

NET WEIGHT

VOLUME

NUMBER OF PACKAGES

PRODUCT ILLUSTRATION	DIMENSIONS [mm]			INDEX SYMBOL						COMMENTS
	WIDTH	DEPTH	HEIGHT			kg	m3	pcs		

STORAGES

	916	418	2077	MIT19		98.0	0.266	3		filing cabinet
	916	418	1661	MIT8		69.0	0.151	2		wardrobe/storage cabinet with slide-out hanger
	916	418	1661	MIT15		80.0	0.229	2		filing cabinet
	916	418	1661	MIT16		81.0	0.265	3		doors with transparent tempered glass and aluminum frame
	1400	422	1280	MIT7		98.0	0.310	3		sliding door
	1363	418	1280	MIT20		84.0	0.211	2		
	980	418	1280	MIT22		87.0	0.572	1		file drawers
	1400	422	879	MIT18		72.0	0.175	3		sliding door
	916	418	879	MIT21		49.0	0.117	1		

DESCRIPTION

NET WEIGHT

VOLUME

NUMBER OF PACKAGES

PRODUCT ILLUSTRATION	DIMENSIONS [mm]			INDEX SYMBOL						COMMENTS
	WIDTH	DEPTH	HEIGHT			kg	m3	pcs		

MEETING TABLES

	800	800	740	MIT10		36.0	0.107	3		column ø 50 mm, disc ø 500 mm
	1200	1200	740	MIT17		64.0	0.150	3		column ø 100 mm, disc ø 620 mm
	1000	600	450	MIT9		33.0	0.091	3		
	2200	1100	740	MIT11		89.0	0.252	2		
	2000	1400	740	MIT06		89.2	0.275	3		conference table-media port location A,B,G,H (1pcs) or C,K (2pcs)
	1400	1400	740	MIT07		67.4	0.184	4		-middle part of conference table-media port location A, B,G,H (1pcs) or C,K (2pcs)
	2000	1400	740	MIT08		77.2	0.252	3		- ending part of conferencetable-media port location A,B,G,H (1pcs) or C,K (2pcs)

ACCESSORIES

	267	110	93	S91E		1.0	0.010	1		- 2 x 230V- 2 x RJ45
	426	110	93	S92E		1.0	0.014	1		- 4 x 230V - 4 x RJ45

DESCRIPTION

NET WEIGHT

VOLUME

NUMBER OF PACKAGES